


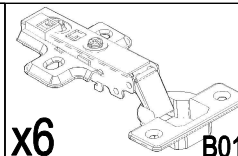

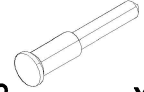

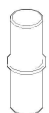
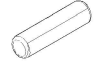
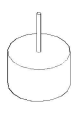
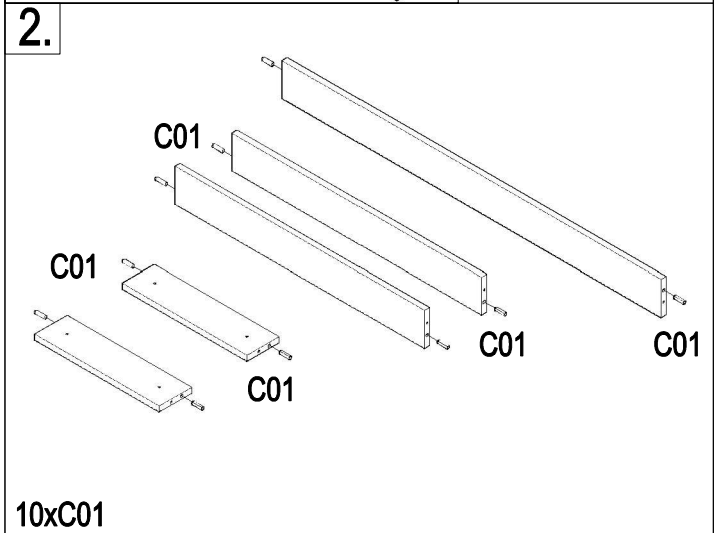
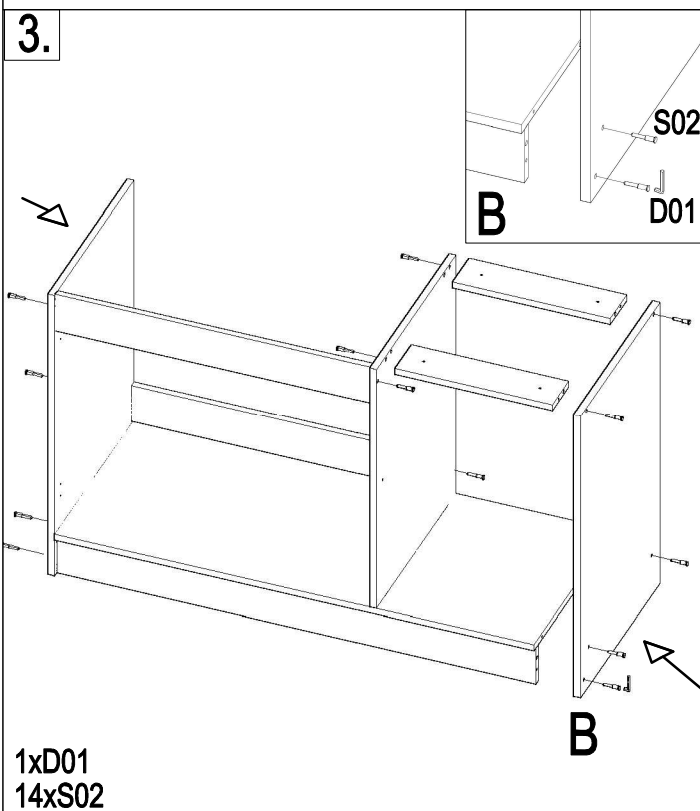
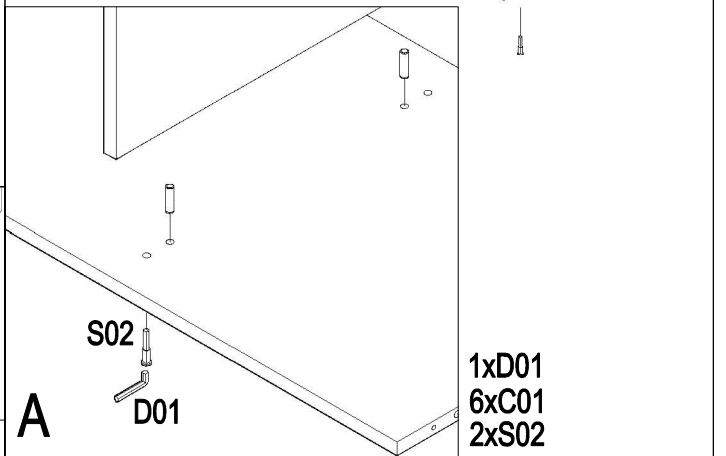
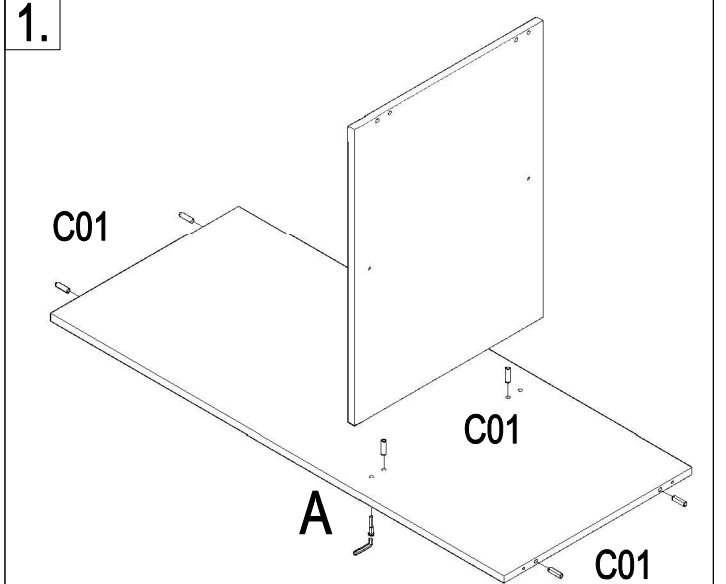
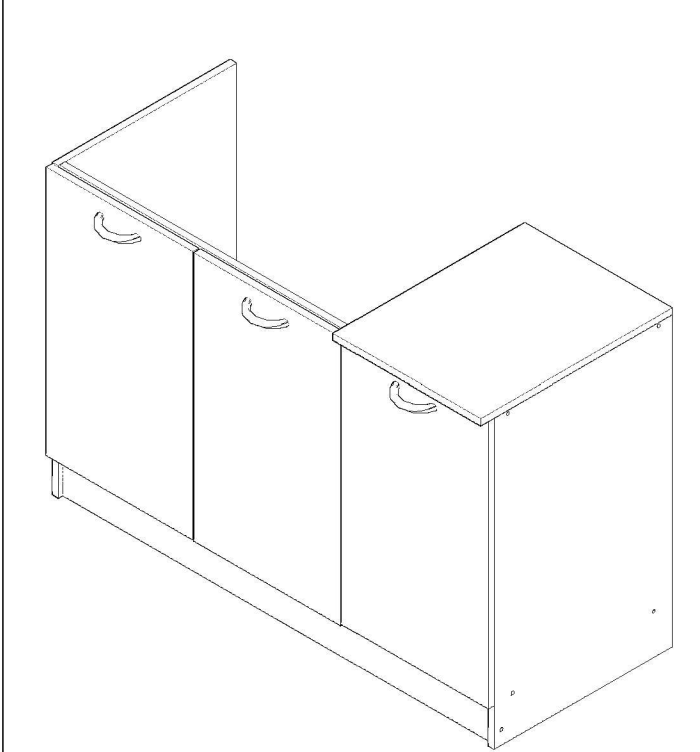
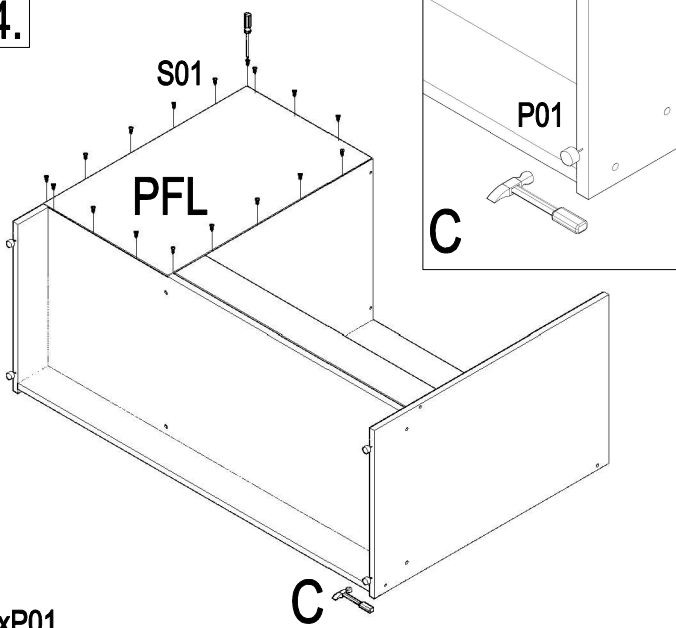


NR.85

<p>3.5x16</p>  <p>S01 x40</p>	<p>3.5x25</p>  <p>S03 x4</p>	<p>D01</p>  <p>x1</p>	 <p>B01 x6</p>	<p>M4X22</p>  <p>S11 x6</p>	 <p>S02 x28</p>
<p>M01</p>  <p>x3</p>	<p>S21</p>  <p>x4</p>	<p>C01</p>  <p>x16</p>	<p>P01</p>  <p>x4</p>		

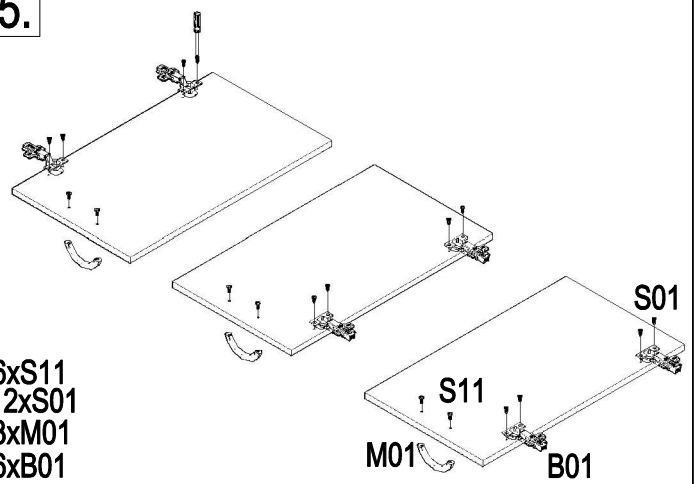


4.



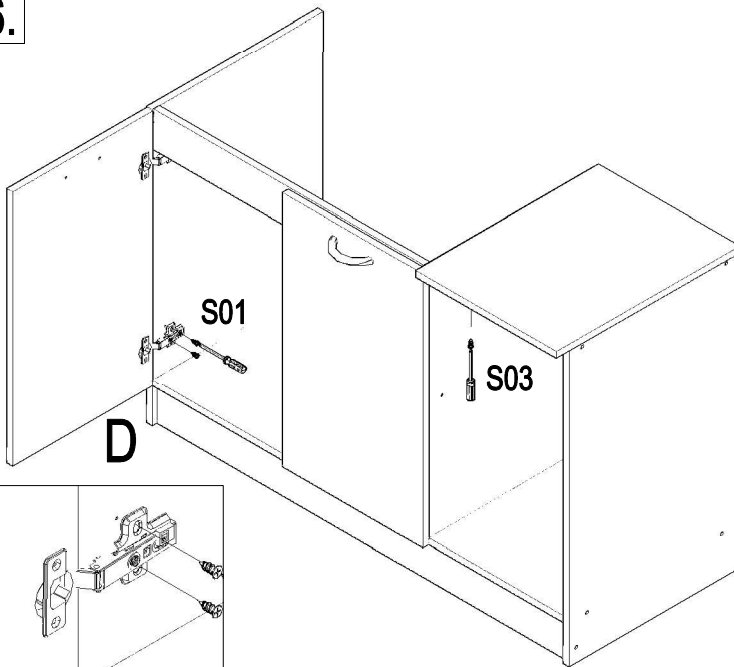
4xP01
16xS01

5.



6xS11
12xS01
3xM01
6xB01

6.



4xS03
12xS01